

## Meeras - The Lord's Law of Inheritance Have you planned for your property?

It's a great pleasure for Muslims that Muslim Personal Law is a part of our country's legislation and all disputes between Muslims related to inheritance are being settled according to this law. The WIRASAT Software has been designed and developed taking care of these laws and by the grace of Allah the WIRASAT Software has been launched in June 2005. Any one can take service from this software. This software is especially useful for the following persons, Insha- Allah:

1. Every Muslim whether male or female (Learn and educate)
2. Advocates, Lawyers and related persons.
3. Madrasas and Schools where this subject is taught.
4. Learned religious scholars of this subject (MUFTI), who generally face such social problems.
5. All those institutions that issue FATWA (verdict) on matters of inheritance.

**Hadith:** "O men & women! Learn and educate the law of inheritance, because it is half of useful knowledge. This knowledge will be cyphered and the first thing that will be taken away from my followers is the knowledge of inheritance."

You too can take benefit from this software.

Write now! For your own copy:



**SofexIndia, Dhanbad**

Zeenat Manzil, Idgah Road, Shamshernagar, Dhanbad - 828 130 (INDIA)

Phone: +913262305460, +919006804299

E-mail: sofexindia@gmail.com

Website: <http://www.sofexindia.com>

# WIRASAT

## USER'S MANUAL

## وراثت

## USER'S MANUAL

As per Muslim Law of Inheritance, the estate of a person, after Death, is distributed among his/ her legal heirs. The WIRASAT Computer Software, deals with distribution of deceased's estate/ wealth as guided by the Holy Qur'an, Hadith & muslim personal law.

June 2010



**SofexIndia, Dhanbad**

Zeenat Manzil, Idgah Road, Shamshernagar, Dhanbad - 828 130 (INDIA)

Phone: +913262305460, +919006804299

E-mail: sofexindia@gmail.com

Website: <http://www.sofexindia.com>

Name of the Book: User's Manual for WIRASAT

Publisher: Sayeeda Ali, Dhanbad

Author: Mohammed Zahoor Ali,

Zeenat Manzil, Shamshernagar,

PO: Polytechnic, Dhanbad – 828130

Jharkhand (INDIA)

Date of Publication: June 2010,

Rajjab-ul-Marjab 1431 H

Number of copies: As per requirement

(Note: This manual is included in the **WIRASAT** software package supplied on and after October 2005. If you desire you can take print of the file *Users Manual WIRASAT.pdf* and use it.)

*SofexIndia*



*Contact point:*

*SofexIndia, Dhanbad*

Zeenat Manzil, Idgah Road, Shamshernagar, Dhanbad - 828 130 (INDIA)

Phone: +913262305460, +919006804299

E-mail: sofexindia@gmail.com

Website: <http://www.sofexindia.com>

## FROM THE HOUSE OF SOFEXINDIA

**ELECT** - This software, which is available in four parts, is a complete solution of Electrical Engineering problems:



(a) *Overhead Transmission Lines* – for Most Economical Conductor Selection, Network Analysis, OHL Energy Audit, Costing of all types of OHLs between 415V and 220kV.



(b) *Cable Selection* – For selection of cables by different methods, network analysis, costing of different voltage grade power cables PVC, PILC and XLPE insulations.



(c) *Transformer Selection* – For transformer selection, power balance, power factor improvement capacitors selection, assessment of percentage impedance, temp. rise etc.



(d) *Energy Bill Analysis* – Formation of Database, verification of energy bills (specific for each supply company), Bill analysis etc.



**MUSIC MANTRA** - It is a real asset for audio & video Editors, music lovers and business personnel. It is a new version of File Navigator.



**LIBRARY MANAGER** - Provides a complete solution to Library Management System, Reports with a safe back up of Library Database.



**MATERIAL MANAGEMENT** - Provides easy and simple solution for keeping track of Film Reels with their contents, CDs, DVDs, Cassettes and other such records normally used in Film Industries.



**WIRASAT** – A unique and first of its kind, provides solutions for the distribution of the left out estate of a deceased Muslim in the light of the Holy Quran, Hadiths and the prevailing Muslim Personal Law.

### FREE SOFTWARES:



a. *LOAN INTEREST* - For finding EMI, Interests, period of repayment etc.



b. *HIJRI CALENDAR* - 200 Years Hijri Calendar where Hijri date changes at 6:00 pm.



c. *ANNIVERSARIES* - Happy Birthday, Wedding day, Indian National days, Death Anniversaries, Lunar festival celebrations etc.



d. *ALIVIEW* - An image viewer.



e. *PHONE INDEX* – Fully safe and secured telephone diary for all members of a family.

## INDEX OF CONTENTS

SN	DESCRIPTION	Page
A	RELATIONS MADE EASY, FAMILY TREE	1
B	INDEX OF CONTENTS	1
C	FOREWORD	2
D	IMPORTANT DEFINITIONS	4
1	HOW TO INSTALL THE WIRASAT SOFTWARE	5
2	STARTING THE WIRASAT PROGRAM	5
3	UNDERSTANDING THE SOFTWARE STRUCTURE	6
4	FINDING SHARES OF RELATIVES	7
4	A FIRST FRAME	8
4	B SECOND FRAME	8
4	C THIRD FRAME	10
4	D FOURTH FRAME	10
5	SIMPLE CASE OF DISTRIBUTION	12
5	a DISCUSSION ON THE RESULTS OF EXECUTE SEL	12
6	CASE WITH RESIDUARY	15
7	CASE WITH AUL/ RADD APPLICATION	17
8	CASE OF ALL INDIVIDUALS	19
9	FULL REPORT OF DISTRIBUTION	19
9(a)	<i>FULL REPORT RESULTS OBTAINED FROM THE SOFTWARE</i>	20
10	DECODING SOME ADDITIONAL CODED RESULTS	24
11	SAVING RESULTS	26
12	SOFEXINDIA ANIMATIONS	26
13	SAMPLE RESULTS OBTAINED FROM THE SOFTWARE	27
14	SOFTWARE REGISTRATION GUIDE	30
E	FAMILY TREE SHOWING REMOTER ASABAH	31

## FOREWORD

While reading some verses of the Holy Qur'an, which were regarding inheritance, a new idea struck in my mind. Then suddenly, I thought that why not a computer software be designed to accommodate these Rules of the Holy Qur'an. It will certainly be a new thing not only for the Muslim community but also for the entire world, and in such case no one will require to move hither and thither for getting solution of cases regarding inheritance as per the Holy Qur'an, Hadiths and the Muslim Personal Law. The brighter part being that the law of the Lord will prevail and the entire world will be benefited. And, thus started the journey of WIRASAT software. This was an incident of the year 1995.

I, then managed books on Muslim laws. I got them both in English and Hindi. I studied them and observed that the most confusing part was to understand the different levels and classes of relationships, both in English & Hindi. The relation names, when related between them were a bit more confusing. Then I found a book 'Khazaana-e-Meeras' by Mufti Rayees Ahmed Khan of Bhopal. I was very happy to get it. I read the book which has beautifully illustrated the rules with various typical examples, but alas! instead of being more clear about understanding the relationships, I was more confused with the relation names of Urdu and Arabic alongwith English and Hindi. However, now I realize that being badly involved and confused in relating the relationships was good for me. Khazaana-e-Meeras introduced me with 'Seeraji', the mother of books on inheritance. I could not manage this book at that time. After a thorough and deep study of the rules, I drew a flow chart and started to write program of course in DoS environment. I started writing in C++ and then shifted to BASIC. This changed several times. After moving a few steps ahead, the program became very complicated. Then I stopped and compared

between the labour/ efforts I put on it and the outcome. Finally, I dropped the idea of making this software in 1998.

After some time, the 'Windows' operating system became popular. In the meantime I designed/ wrote/ conceptualise several computer softwares, some of them are listed at the end of this book. During this period, I had a sad feeling of leaving the 'Wirasat' program incomplete. In the changed scenario of 2004, I felt that now, the 'Wirasat' program can be taken up with more confidence and can be presented in a more lucrative and user-friendly platform.

Then, I prayed to the Lord as '*Oh Allah! Though I am not an expert of the laws of inheritance, be kind and have this much grace on me that no mistake is made in writing and interpreting the inheritance rules*'. And after this, I opened the closed files and started working on them. I managed several other books on inheritance that includes the book 'Seeraji' known as mother of books on inheritance alongwith 'Majmua Qawaneen-e-Islami' published by Muslim Personal Law Board of India. During programming several learned scholars of this subject helped and encouraged me. One fellow from Sri Lanka met me and asked as to whether it will be worth in their country. I told him that the only important part of this software is RELATIONS, which has been given in Urdu, Arabic and English, so that it can be used in any part of the world. Other languages can also be included on its popularity.

Today, WIRASAT is in your hand. It is my earnest request to all learned scholars of Meeras and users of this software to convey me any incorrect result, if any, describing the specific situation, so that it can be taken care of in the next versions.

Mohammed Zahoor Ali, Bhubanswar, India (27.06.05)

## IMPORTANT DEFINITIONS

### WIRASAT

The estate/ wealth/ property that relatives of a deceased inherit from the left out estate/ wealth/ property without his consent or authority is known as *WIRASAT*.

### QUR'ANIC SHARERS (*Zawil-Farooz*)

Those relatives, whose share in the left out estate/ wealth/ property of a deceased has been fixed are known as Qur'anic sharer (*Zawil-Farooz*).

### RESIDUARIES (*Asab'at*)

Those relatives who are entitled to get share in the left out estate/ wealth/ property of a deceased but their share have not been fixed by the Qur'an. They inherit the *Residue* after giving shares to Qur'anic sharers. In absence of Qur'anic sharers they inherit the entire/ whole estate. There are three types of Residuaries as under:

- a. *Asabah ba-nafsehi* – All male members without female in between e.g. son, father, grand father, brothers/ brother's son from father's side, full uncle etc.
- b. *Asabah ba-ghairehi* – These are four types of *Zawil Farooz* females who become asabah in presence of their brothers e.g. daughters, son's daughter, full sister and half sister from father's side.
- c. *Asabah m'a ghairehi* - These are those *Zawil Farooz* females who take their shares alongwith other females e.g. full sisters and half sisters from father's side with daughters, son's daughter.

### AUL DOCTRINE

In Arabic, *Aul* stands for increase. If the sum of Qur'anic sharers is more than one, then the excess amount / value is reduced from all

sharers proportionately in *increasing* the denominator part of the fraction suitably.

## RADD DOCTRINE

In Arabic *Radd* stands for decrease. If the sum of Qur'anic sharers is less than one and there is no any Residuary alive, then the indisposed estate is distributed among the sharers (excepting wife/ husband) proportionately. *Decreasing* the denominator part of the fraction suitably does the redistribution.

### Distant Kindered (*Zawil Arham*)

These are relatives who are neither Qur'anic sharers nor Residuaries. They inherit according to *Nearer-Remoter* principle i.e. the *Remoter* cannot succeed in presence of a *Nearer* one.

## 1. HOW TO INSTALL THE WIRASAT SOFTWARE

Insert your WIRASAT CD in the CD drive of your PC and open it. You will find a folder named 'Wirasat 2.01' or some other version of it instead of 2.01. Open this folder. Now, observe that there is one *Setup.exe* file. Double click it to start installation. Ensure that no program is running while installing this software. Some *Fonts* are also installed during installation. If these fonts are already installed in your PC, then reply accordingly when prompted for. And thus, the WIRASAT software is installed in your PC. Now, reboot your system.

## 2. STARTING THE WIRASAT PROGRAM

Follow these steps in sequence to start the program:

START  
→ PROGRAMS  
→ WIRASAT  
→ WIRASAT INHERITANCE

And the program opens.

## 3. UNDERSTANDING THE SOFTWARE STRUCTURE

On opening the program, the opening screen appears first. Look at it very carefully; there are so many things to understand here:

At the uppermost line (menu bar) there are some menu items like –

Exit  
Installation Info  
Register  
Disclaimer  
About

Whichever menu item is clicked with the mouse pointer, the related part of the program will open. We leave these miscellaneous functions here and move forward to other parts of the software.

On the right part top of the opening screen there are some messages in the form of images. Click these images and see how many image messages are there for you. Look just below these images (only one is visible at a time), the following sentence is written:

*I agree with Disclaimer terms of the Software*

Below this caption is a frame within which, logo of the software company is there on the left side and at the centre the word EVALUATE is written (if you are using a trial package). On the right of this word there are two numbers written in white colour. Click these numbers and see what happens. Also, you click the word *Disclaimer* and see what happens. Certain legal terms and conditions are there. Go through these terms, which one must know before using this Software. On clicking it again, the *Disclaimer* hides and the image reappears on that place.

Now, look at the screen's left portion, at the top *Bism-e-Allah ar Rahman ar Raheem* is written in Arabic. Below this there are some option buttons in two frame houses. The first option button is *Disabled* while all other are open. These opened options contain information regarding the subject matter *Inheritance*. In some options you will see

.pdf is written at their end. This indicates that the related file will open in an Acrobat Reader environment.

For your information, it is mentioned here that if you don't have an Acrobat Reader then it can be installed from the CD, provided with the WIRASAT software. One can get variety of information, including the laws of inheritance, by going through these files.

Now, look at the centre of the screen, you may observe that this software is for Muslims of Hanafi School of thoughts. Persons of other school of thoughts must see as to what their own school of thoughts says in this regard. One can observe changes in text colour on moving the mouse pointer over it.

At the lower most part of the screen, the caption *Inheritance by Muslim Law* is written. It is also animated which you can observe yourself.

Now, we come to our actual purpose. Bring the mouse pointer over *EVALUATE* and click it. On clicking, the first option on the left side, which was disabled earlier, opens. From here, we will go to the main part of the program.

#### 4. FINDING SHARES OF RELATIVES

Since this book is a User's Manual, we will restrict our discussion to its limitations. Understanding the *Rules of Inheritance* is neither possible here nor is our aim. We will now go to a different interface (screen) for finding shares of relatives in the left out estate/ wealth/ property of a deceased. To go to that interface follow these steps in sequence:

1. Open the WIRASAT program
2. If you are working on a trial version then move the mouse pointer to the caption EVALUATE and click it. This will enable option 1.
3. Now click option 1 which will take you to a new interface screen. We will refer this new screen as *Wirasat Screen*.

First of all look at the Wirasat Screen carefully. There are some menu items on the top menu bar like:

- Back
- All Individual
- Full Report
- Save Results
- About

There are four frames (rectangular shape bounded areas) below this menu bar. We will now discuss these frames carefully, one by one.

#### 4(a) FIRST FRAME

The first input required in this frame is to tell the program as to whether the deceased was a male or a female. Then fill up name of the deceased. This is optional, if provided and the report saved, the same may be referred later on. After this, gross estate of the deceased, funeral expenses, debts and wills input boxes are to be filled up. The last input box is for the net estate. The text colour of this input box is red indicating that it is not required to fill. The program will calculate and write this value.

Note: There is no harm if no input is supplied in this first frame input boxes (discussed above). However, under such condition, quantification of the allotted shares will not be correct. Only the values in per unit (e.g. 5/7) shall be treated as correct. The quantified results are based on an assumed left out estate/ wealth/ property of 10,000/=.

#### 4(b) SECOND FRAME

This frame is very important and contains all those relations, which are generally left as claimants/ heirs/ inheritors. These are the relatives who generally come under *Qur'anic Sharers* and *Residuaries*, e.g.:

1	Husband/ Wives	2	Son	3	Daughter
4	Son's son	5	Son's daughter	6	Son's son's son
7	Son's daughter	8	Father	9	Father's father

10	Father's grand father	11	Mother	12	Mother's mother
13	Mother's grand mother	14	Father's mother	15	Grand father's mother
16	Father's grand mother	17	Brother	18	Sister
19	Consanguine brother	20	Consanguine sister	21	Uterine brother
22	Uterine sister				

Note:

*Consanguine brother* – Half Brother from father's side (i.e. same father but different mothers) also Allati brother.

*Uterine brother* – Half Brother from mother's side (i.e. same mother but different fathers) also Akhyafi brother.

Important points to note in the input text boxes are as under:

1. Place cursor at any input box and double click it. If it was 0 (zero) it will become 1 (one) and vice versa.
2. A *Reset* command is provided within this frame on the left half part. This is an important command item. On pressing/ clicking this *Reset* command, all the contents of frame 2 input boxes will turn to 0 (zero) and all tick marks on that of frame just below this will be cleared. You will observe its impact later on on frame number 4 also, located on the right side of this frame.
3. On double clicking any label of any relative, the program is executed partially and results corresponding to that relative's share are displayed alongwith a description of *Why*, *How* and *How much* share will go to that relative.
4. If the inheritor is a Residuary then it will be shown as a Residuary and a zero (0) will be displayed against his/ her

share. It should not be taken granted that the allotted share to that relative is nil (0) but it is to be noted that to know the share of this relative the command button *Residuaries* is to be pressed (executed).

#### 4(c) THIRD FRAME

It is the lowermost screen of the Wirasat Screen. Here, in this frame you will find only those relatives who generally come under the category of Residuary (Asabah), e.g.

1	Brother's son	2	Consanguine brother's son
3	Brother's son's son	4	Consanguine brother's son's son
5	Full Uncle	6	Consanguine Uncle
7	Full Uncle's son	8	Consanguine Uncle's son
9	Full Uncle's son's son	10	Consanguine Uncle's son's son
11	Full Uncle's son's son's son	12	Consanguine Uncle's son's son's son

There is no scope for writing number of relatives in this third frame instead you will have to tick mark the alive relatives only. If these inheritors are eligible for inheriting the deceased's property, they will certainly be reflected in the results otherwise no mention of them will be found in the result.

#### 4(d) FOURTH FRAME

Now, see the fourth frame carefully. It is visible at present, but will become invisible shortly. The software company has put names of its Software Products on it for publicity. A big text box will appear just below this fourth frame, where you will find the execution results.

Now, see just below this fourth frame where you will find the following labels:

**E                      Urd                      Arabic**

Press these labels one by one and observe their effect. You will find that the names of relatives change. Sometimes in Arabic, sometimes in Urdu and sometimes in English depending on which label is pressed.

Now, let us proceed ahead. There are some buttons below the fourth frame. These are known as command buttons. Here the command buttons are as under:

1.      Execute Sel
2.      Residuaries
3.      Aul/ Radd
4.      Full Report

Each command button has a separate function. We will discuss them one by one as per our requirement. There is a number just above these command buttons, which will change continuously. Whenever you will press the command buttons *Execute Sel*, *Residuaries*, *Full Report* or the menu item *All Individual*, this number will change. Observe that every time it increases by one. This is an indication of popularity of the program.

Upto here, whatever you read and understood was about the contents and method of using the WIRASAT software. Now onwards, we will see the main objectives of this program and will try to solve our problems. Keeping different parts of the program in mind, we will try to solve the following types of problems:

- a. *Simple case of distribution*
- b. *Case with Residuary*
- c. *Case with Aul/ Radd application*
- d. *Case of All Individuals*
- e. *Full Report of distribution*

Now, we will discuss these one by one. The main objective of this is to read and understand the *displayed results* correctly. Failure to understand the results correctly may lead to blunder.

## 5.      **SIMPLE CASE OF DISTRIBUTION**

*Example:*

Mother                      Father                      Two Daughters

*Procedure:*

Open the WIRASAT program and go to the Wirasat Screen. Here, there are three frames (with input boxes), which are to be filled up.

If desired, you may not fill frame no. 1 and leave it as it is. In case frame-1 inputs are not supplied then the default values that will be assumed in the calculations by the program will be as under:

Name	:	ABDULLAH
Gross estate	:	18600
Funeral expenses	:	1000
Debts	:	5000
Will(s)	:	2600
Net estate left	:	10,000 (calculated by program)

Before filling input boxes of frame no. 2, it is advisable to press the *Reset* command so that all input values of frame no. 2 and 3 are set to zero (0). Now, fill up input boxes against *Mother*, *Father* and *Daughters* with one, one and two respectively.

Now press the command button *Execute Sel*. And lo! The result is ready.

### 5(a).      **DISCUSSION ON THE RESULTS OF EXECUTE SEL**

The following results will be displayed on pressing the *Execute Sel* command button corresponding to above inputs:



## DISTRIBUTION OF PROPERTY LEFT BY DECEASED ABDULLAH

### INPUTS:

Gross Estate = 18600  
Funeral exp. = 1000  
Debts = 5000  
Will(s) = 2600  
Net Estate = 10000

### SHARE CLAIMANTS:

Daughters = 2  
Father = 1  
Mother = 1

### DISTRIBUTION FOLLOWS LIKE THIS:

#### (3). MOTHER'S SHARE

In the case under examination, the following legal heirs are alive:

Sons = 0	Grand Sons = 0
Great grand Sons = 0	Daughters = 2
Grand Daughters = 0	Great grand Daughters = 0
Brothers = 0	Sisters = 0

In presence of any of the descendant heirs or in presence of two or more brothers or sisters or both (brother plus sister of any type i.e. Full, Consanguine or Uterine) the share of mother in the net estate wealth will be only one sixth (1/6) i.e.

1667 (1/6)

#### (2). ULTIMATE FATHER'S SHARE

Father is the Ultimate Father. Ultimate Father receives as Residuary ALSO alongwith one sixth (1/6) share.

(1/6)

#### (1). DAUGHTER'S SHARE

In the case under examination, the deceased has left NO son but daughters (two or more) only.

Under such situation, the daughters will receive share in the net estate wealth equal to two third (2/3) i.e.

6667 (2/3)

Since, number of daughters is 2 so, EACH daughter will receive share in the net estate wealth equal to:

3333

#### SUMMARIZED SHARES:

Daughters = 2 (6667)- Sharer(2/3)  
Father = 1 (1667)- Resid(1/6+)  
Mother = 1 (1667)- Sharer(1/6)

NOTE:- ONLY ENTITLED RESIDUARIES WILL SHARE THE RESIDUE IF ANY.

TOTAL SHARED = 10000  
RESIDUE = 0

© Generated by Wirasat Software of SofexIndia on 14/09/2005 08:33:05

Now, read the results carefully. First of all the inputs supplied by the user including the live heirs/ claimants are displayed. Then the share inherited by each inheritor is described one by one giving reasons thereof. And finally, summarized values of shares are shown. See these summarized values carefully. It is like:

*Daughter = 2 (6667) – Sharer (2/3)*

This means number of *daughters* are two who receive a share of 6667 (net distributable property being 10,000), they (daughters) are *Qur'anic Sharers* and their total share is 2/3 (two third). In the same way *Mother*

is also coming under *Qur'anic Sharer*, but *Father* is receiving 1/6 as *Qur'anic Sharer* and also becomes a Residuary, that is why the + sign after 1/6. But since nothing is left as residue, the *Father* gets his share only.

## 6. CASE WITH RESIDUARY

*Example:*

Husband      Daughter      Son's son      Son's Daughters

*Procedure:*

Open the WIRASAT program and go to the Wirasat Screen. Here, there are three frames (with input boxes), which are to be filled up.

If desired, you may not fill frame-1 inputs and leave it as it is. Here, since the deceased is a *Female*, the sex of the deceased is to be changed to Female.

Before filling input boxes of frame no. 2, it is advisable to press the *Reset* command so that all input values of frame no. 2 and 3 are set to zero (0). Now, fill up input boxes against *Husband*, *Daughter*, *Son's son* and *Son's daughter* with 1, 1, 1 and 1 respectively.

Now press the command button *Execute Sel.* The initial portion of the result is similar to previous example. See the Summarized Shares carefully; they are as under:

### EXTRACT OF RESULTS DISPLAYED

#### SUMMARIZED SHARES:

Husband = 1 (2500)- Sharer(1/4)  
 Daughters = 1 (5000)- Sharer(1/2)  
 Grand Sons = 1 (0)- Resid  
 Grand Daughters = 1 (0)- Resid

NOTE:- ONLY ENTITLED RESIDUARIES WILL SHARE THE RESIDUE IF ANY.

TOTAL SHARED = 7500  
**RESIDUE = 2500**

Here, we observe that *Husband* and *Daughter* are getting their shares but *son's son* and *son's daughter* are declared as Residuaries and there is also some residue left after Qur'anic sharers get their shares. So, this result is incomplete. To get complete report we will have to press another command button *Residuaries* also.

On pressing the *Residuaries* command button with the inputs as given in the example, the following results will be yielded:

The numbers shown within first brackets are the number of such Qur'anic Heirs left ALIVE by the deceased ABDULLAH. The value inside the second bracket indicates the per unit value of share. The distribution of Gross Estate left by the deceased BETWEEN Qur'anic heirs and Residuaries will be as under:

Net Estate Wealth = 10000

#### QUR'ANIC SHARERS:

HUSBAND (1) = 2500 (1/4)  
 DAUGHTERS (1) = 5000 (1/2)  
 Son's daughter (1) = 0 (0/1)

TOTAL Q-Shares = 7500  
 RESIDUE (Balance) = 2500 (1/4)

#### RESIDUARIES (*Share per head*):

Son's son(1) = 1667 (2/12)  
 Son's Daughter(1) = 833 (1/12)

© Generated by Wirasat Software of SofexIndia on 14/09/2005 09:14:31

Now, let us examine this result. Here in addition to Husband and Daughter, shares of son's son and son's daughter have also been quantified viz.

Son's son(1)=1667(2/12)

i.e. son's son is one in number whose share is 1667 (out of 10,000), which is 2/12 or 1/6 of the net property. It is very important to note here that the shares allotted to Residuaries are shown on *per head* basis.

## 7. CASE WITH AUL/ RADD APPLICATION

*Example:*

Wife    Daughter    Son's daughter    Mother

*Procedure:*

Open the WIRASAT program and go to the Wirasat Screen. Here, there are three frames (with input boxes), which are to be filled up.

If desired, you may not fill frame no. 1 and leave it as it is

Before filling input boxes of frame no. 2, it is advisable to press the *Reset* command so that all input values of frame no. 2 and 3 are set to zero (0). Now, fill up input boxes against *Wife*, *Daughter*, *Son's daughter* and *Mother* with 1 in each.

Now press the command button *Execute Sel*. The initial portion of the result is similar to previous example. See the Summarized Shares carefully; they are as under:

### SUMMARIZED SHARES:

Wives = 1 (1250)- Sharer(1/8)  
Daughters = 1 (5000)- Sharer(1/2)  
Grand Daughters = 1 (1667)- Sharer(1/6)  
Mother = 1 (1667)- Sharer(1/6)

NOTE:- ONLY ENTITLED RESIDUARIES WILL SHARE THE RESIDUE IF ANY.

TOTAL SHARED = 9583  
**RESIDUE = 417**

### APPLY RADD DOCTRINE

You will be prompted with a *notice* where in it will be informed that some residue is left after distribution and there is no any Residuary. And hence, advised to press the *Aul/ Radd* command button. The following results will be yielded on pressing the *Aul/ Radd* command button under the given conditions:

The numbers shown within first brackets are the number of such Qur'anic Heirs left ALIVE by the deceased ABDULLAH. The distribution of Gross Estate left by the deceased AMONG Qur'anic heirs only is shown below, because there is no Residuary ALIVE, the method of 'Radd' doctrine has been applied. The value inside the second bracket indicates the share before applying 'Radd' doctrine, while value within the third brackets indicates per unit share after applying 'Radd'. The distribution of Gross Estate left by the deceased AMONG Qur'anic heirs will be as under:

Net Estate Wealth = 10000

### QUR'ANIC SHARERS:

WIFE (1) = 1250 (1250) (5/40)  
DAUGHTERS (1) = 5250 (5000) (21/40)  
MOTHER (1) = 1750 (1667) (7/40)  
Son's daughter (1) = 1750 (1667) (7/40)

**TOTAL Q-Shares = 10000 (9583)**  
**RESIDUE (Balance) = 0 (417)**

© Generated by Wirasat Software of SofexIndia on 14/09/2005 19:33:02

If you examine the results yielded on pressing *Aul/ Radd* command button, they are like as under:

Daughters (1) = 5250 (5000) (21/40)

This means that number of daughters is one (1) and she is receiving share of 5250 (out of 10,000) after application of *Radd* doctrine, while her share prior to *Radd* application was 5000 (out of 10,000) i.e. half of property. If you see this in per unit basis then the total share of daughters (here only one) is 21/40. Similar results will also be displayed for other inheritors.

Further, examine the following result:

TOTAL Q-Shares = 10000 (9583)

This result means that sum of shares of all Qur'anic sharers is 9583 prior to *Radd* application which is brought to 10,000 after *Radd* application i.e. the whole estate is disbursed.

Further, look at the following result:

RESIDUE (Balance) = 0 (417)

This result means that after distribution of the property to all Qur'anic sharers a residue of 417 is left which turned to zero (0) on application of *Radd* doctrine, i.e. whole estate is disbursed.

## 8. CASE OF ALL INDIVIDUALS

If you require individual reports of each category of relatives then fill up the necessary text boxes and then press the menu item *All Individual*. This report is not of much use. However, as you like...

## 9. FULL REPORT OF DISTRIBUTION

In view of the difficulties being faced by users in solving some typical cases where several number of command buttons were required to be operated to get the final result, it was decided to add this command

button of *FULL REPORT*. In the earlier version this command button *FULL REPORT* alongwith a menu item *Full Report* in the menu bar are not provided. However, for an in-depth analysis of a given problem, the buttons already provided help much.

This *FULL REPORT* command button is of great help for a common user. Just fill up the various inputs and press the *FULL REPORT* command button or the menu item *Full Report* provided in the menu bar. Either of the action gives the following output:

1. A full and complete report of distribution of the net estate/ wealth/ property of the deceased in all respects. Now, there is no need to press the following command buttons:

Execute Sel.  
Residuaries and  
Aul/ Radd

2. The results obtained on pressing this FULL REPORT command button is automatically saved as a text file with the name *FullReport* in the same folder where the application software WIRASAT is located.

A sample report of the FULL REPORT is given hereunder as an example.

*Example:*

Wife(1) Mother(1) Daughter(1) True grand mother(1)

### RESULTS OBTAINED FROM THE SOFTWARE

HERE IS THE COMPLETE RESULT OBTAINED FROM THE WIRASAT SOFTWARE. THE COMPLETE RESULTS ARE IN THREE STEPS AND MUST BE SEEN IN TOTALITY.

**STEP - 1 (INPUTS & INDIVIDUAL REPORTS):**

**DISTRIBUTION OF PROPERTY LEFT BY DECEASED ABDULLAH**

**INPUTS:**

Gross Estate = 18600

Funeral exp. = 1000

Debts = 5000

Will(s) = 2600

Net Estate = 10000

**SHARE CLAIMANTS:**

Wives = 1

Daughters = 1

Mother = 1

Father's Mother = 1

**DISTRIBUTION FOLLOWS LIKE THIS:**

**(4). TRUE GRAND MOTHER'S SHARE**

In the case under examination, Mother of the deceased is alive.

In presence of Mother no True grand mother from either paternal side or maternal side can inherit any share. So the share of True Grand Mother, if any, in the net estate wealth is zero.

0 (0/1)

**(3). MOTHER'S SHARE**

In the case under examination, the following legal heirs are alive:

Sons = 0

Grand Sons = 0

Great grand Sons = 0

Daughters = 1

Grand Daughters = 0

Great grand Daughters = 0

Brothers = 0

Sisters = 0

In presence of any of the descendant heirs or in presence of two or more brothers or sisters or both (brother plus sister of any type i.e. Full, Consanguine or Uterine) the share of mother in the net estate wealth will be only one sixth (1/6) i.e.

1667 (1/6)

**(2). DAUGHTER'S SHARE**

In the case under consideration, the deceased has left NO son but a daughter only.

Under the above situation, the daughter will receive share in the net estate wealth equal to one half (1/2) i.e.

5000 (1/2)

**(1). WIFE'S SHARE**

In the case under examination, since the deceased has left sons/daughters, the share of wife/ wives will be one eighth (1/8) of the net estate wealth i.e.

1250

**SUMMARIZED SHARES:**

Wives = 1 (1250)- Sharer(1/8)

Daughters = 1 (5000)- Sharer(1/2)

Mother = 1 (1667)- Sharer(1/6)

Father's Mother = 1 (C)- Sharer(0/1)

**NOTE:- ONLY ENTITLED RESIDUARIES WILL SHARE THE RESIDUE IF ANY.**

TOTAL SHARED = 7917

RESIDUE = 2083

APPLY RADD DOCTRINE

## STEP - 2 (RESIDUARIES):

EITHER NO RESIDUARY FOUND IN THE SET CONDITIONS OR RESIDUE IS ZERO. IN ABSENCE OF ANY RESIDUARY, THE RESIDUE (IF ANY) SHALL BE DISTRIBUTED PROPORTIONATELY AMONG SHARERS EXCEPTING WIFE AND HUSBAND, USING RADD DOCTRINE. IF ONLY WIFE OR HUSBAND IS SHARER THEN THE RESIDUE (IF ANY) WILL GO TO DISTANT KINDRED (ZAWIL-ARHAM).

## STEP - 3 (AUL/ RADD):

The numbers shown within first brackets are the number of such Qur'anic Heirs left ALIVE by the deceased ABDULLAH. The distribution of Gross Estate left by the deceased AMONG Qur'anic heirs only is shown below, because there is no Residuary ALIVE, the method of 'Radd' doctrine has been applied. The value inside the second bracket indicates the share before applying 'Radd' doctrine, while value within the third brackets indicates per unit share after applying 'Radd'. The distribution of Gross Estate left by the deceased AMONG Qur'anic heirs will be as under:

Net Estate Wealth = 10000

### QUR'ANIC SHARERS:

WIFE (1) = 1250 (1250) (4/32)  
DAUGHTERS (1) = 6563 (5000) (21/32)  
MOTHER (1) = 2188 (1667) (7/32)  
True Grand Mother (0) = 0 (0) (0/1)

TOTAL Q-Shares = 10000 (7917)  
RESIDUE (Balance) = 0 (2083)

© Generated by Wirasat Software of SofexIndia on 14/09/2005 21:13:08

## 10. DECODING SOME ADDITIONAL CODED RESULTS

### Execute Sel Results:

The following types of coded results may appear on pressing the *Execute Sel.* Command button:

1. Grand Father = 1(1667) - Resid (1/6+)
2. Daughter=1(5000) - Sharer (1/2)
3. (i) Gr. Mother's Mother=1(C) - Sharer (1/6)  
(ii) Gr. Father's Mother=2(C) - Sharer (1/6)  
(iii) True Gr. Mother (3/MMM+FFM) - 1667 - Sharer (1/6)

Clarification of above codes are given hereunder one by one:

1. This means that Grand Father is one whose share out of ten thousand is 1667. He is a Residuary and first takes 1/6 as a sharer and then becomes Residuary.
2. This means that daughter is one whose share out of ten thousand is 5000. She is a Qur'anic Sharer and takes her share of  $\frac{1}{2}$ .
3. All three sections (i), (ii) and (iii) stand for True Grand mother. Here the first two lines 3(i) and 3(ii) mean that there are one *Grand Mother's mother* and two *Grand Father's mothers* who take share jointly, the term (C) is an indication of joint sharer (common/combined). Both of them are sharer and taking share of 1/6. The third line is derived from the above two lines of joint report shown at 3(i) and 3(ii) and is telling that there are three *True Grand Mothers* which are *Grand Mother's Mother* and *Grand Father's Mothers*. They are taking share of 1667 out of 10000 as Qur'anic Sharers, which is 1/6 of the property.

### Residuaries Results:

The following types of coded results may appear on pressing the *Residuaries* Command button:

Father (0/1/0) = 3333 (1/3)

Here the point to be noted is (0/1/0) which stands for number of Ultimate Fathers and is represented corresponding to (F/FF/FFF). Here its meaning is that *Grand Father* is the *Ultimate Father* and is taking share in absence of Father. His share out of ten thousand is 3333 i.e. 1/3 of the property.

#### Aul/ Radd Results:

The following types of coded results may appear on pressing the *Aul/ Radd* Command button:

1. DAUGHTERS (1) = 8750 (5000) (7/8)
2. DAUGHTERS (2) = 6154 (6667) (8/13)
3. (a) TOTAL Q-Shares = 10000 (6250)  
(b) TOTAL Q-Shares = 10000 (10833)
4. (a) RESIDUE (Balance) = 0 (3750)  
(b) RESIDUE (Balance) = 0 (-833)

Clarification of above codes:

1. It means that daughter is one, who prior to Radd application was entitled to get 5000 and on application of Radd her share increased to 8750, which is 7/8 of the property.
2. It means that daughters are two, who prior to Aul application were entitled to get 6667 and on application of Aul the share decreased to 6154, which is 8/13 of the property.
3. Here the line at 3(a) is obtained from Radd application and the line 3(b) from Aul application. 3(a) code tells that the sum of shares of Qur'anic Sharers prior to Radd application was 6250, which is brought to 10000 by applying Radd doctrine. And, similarly line 3(b) code tells that sum of shares of Qur'anic Sharers prior to Aul application was 10833, which is brought to 10000 by applying Aul doctrine.
4. Here the line at 4(a) is obtained from Radd application and the line 4(b) from Aul application. 4(a) code tells that the residue

(balance) prior to Radd application was 3750, which is brought to 0 by applying Radd doctrine. And, similarly line 4(b) code tells that the residue (balance) prior to Aul application was minus (-) 833, which is brought to zero (0) by applying Aul doctrine

## 11. SAVING RESULTS

If you desire that the results obtained for a given problem be saved or a print out be taken then follow the procedure as under:

Execute the inputs and get the results displayed. Go to *Save As* menu item provided in the top menu bar and press it. A dialog box will appear. Give a suitable name for the file you are going to create by saving the results.

Files saved can be referred later on and print copy of this can be given to any one or can be used as a reference.

## 12. SOFEXINDIA ANIMATIONS

There are two animation files with .avi extension which have been provided with the software with the following names:

Sofexindia.avi  
Sofexindia1.avi

Do not delete or remove these files or else it can affect the results of the program. To replace the currently active avi file double click the outer lines of the image frame. Double clicking again will cause the earlier animation to appear again.

### 13. SAMPLE RESULTS OBTAINED FROM THE SOFTWARE

SAMPLE RESULTS OBTAINED FROM THE SOFTWARE  
(Net Estate Wealth in every case has been assumed as 10000)

Example-1 Wife(1), Daughters(2), Mother(1), Father(1)  
WIFE (1) = 1111 (1250) (3/27)  
DAUGHTERS (2) = 5926 (6667) (16/27)  
FATHER (Father) = 1481 (1667) (4/27)  
MOTHER (1) = 1481 (1667) (4/27)

Example-2 Wife(1), Full sisters(2), Uterine Sister(1)  
WIFE (1) = 2308 (2500) (3/13)  
SISTER (2) = 6154 (6667) (8/13)  
Uter. SISTER (1) = 1538 (1667) (2/13)

Example-3 Husband(1), Mother(1)  
HUSBAND (1) = 5000 (5000) (1/2)  
MOTHER (1) = 5000 (3333) (1/2)

Example-4 Daadi(1), Naani(1), Son's Daughter(1)  
True Grand Mother (2) = 2500 (1667) (1/4)(Note: Daadi+Naani = 2)  
Son's daughter (1) = 7500 (5000) (3/4)

Example-5 Mother(1), Daughter(1), Son's Daughter(1)  
DAUGHTERS (1) = 6000 (5000) (3/5)  
MOTHER (1) = 2000 (1667) (1/5)  
Son's daughter (1) = 2000 (1667) (1/5)

Example-6 Husband(1), Mother(1), Son(1), Daughter(1)  
HUSBAND (1) = 2500 (1/4)  
MOTHER (1) = 1667 (1/6)  
RESIDUARIES (Share per head ):  
SONS(1) = 3889 (14/36)  
DAUGHTERS(1) = 1944 (7/36)

Example-7 Father(1), Daughter(1)  
DAUGHTERS (1) = 5000 (1/2)  
FATHER(1/0/0) = 1667 + 3333 = 5000 (3/6)  
Father's Total = 1/6 + Residuary share

Example-8 Daughter(1), Son's daughter(1), Mother(1), Full Sister(1)  
DAUGHTERS (1) = 5000 (1/2)  
MOTHER (1) = 1667 (1/6)  
Son's daughter (1) = 1667 (1/6)  
Full Sister(1) = 1667 (1/6)

Example-9 Wife(1), Mother(1), Full Uncle(1)  
WIFE (1) = 2500 (1/4)  
MOTHER (1) = 3333 (1/3)  
FULL UNCLE = 4167 (5/12)

Example-10 Husband(1), Mother(1), Daughter(1), Sister(1), Brother(1)  
QUR'ANIC SHARERS:  
HUSBAND (1) = 2500 (1/4)  
DAUGHTERS (1) = 5000 (1/2)  
MOTHER (1) = 1667 (1/6)  
RESIDUARIES (Share per head ):  
Full Brother(1) = 556 (2/36)  
Full Sister(1) = 278 (1/36)

Example-11 Wife(1), Mother(1), Daughter(1), Sister(2), Brother(1)  
QUR'ANIC SHARERS:  
WIFE (1) = 1250 (1/8)  
DAUGHTERS (1) = 5000 (1/2)  
MOTHER (1) = 1667 (1/6)  
RESIDUARIES (Share per head ):  
Full Brother(1) = 1042 (10/96)  
Full Sister(2) = 521 (5/96)

Example-11 Father's Mother(1), Father's Mother's Mother(1), Uncle(1)  
QUR'ANIC SHARERS:  
True Grand Mother (1/FM) = 1667 (1/6)  
RESIDUARIES (Share per head ):  
FULL UNCLE = 8333 (5/6) (For all)



Example-12 Husband(1), Full Sister(1), Mother(1)

QUR'ANIC SHARERS:

HUSBAND (1) = 3750 (5000) (3/8)

MOTHER (1) = 2500 (3333) (2/8)

SISTER (1) = 3750 (5000) (3/8)

RESIDUE (Balance) = 0 (-3333)

Example-13 Wife(2), Daughters(10), Father's Mother(6), Full Uncle(7)

QUR'ANIC SHARERS:

WIFE (2) = 1250 (1/8)

DAUGHTERS (10) = 6667 (2/3)

True Grand Mother (6/FM) = 1667 (1/6)

RESIDUARIES (Share per head):

FULL UNCLE = 417 (1/24) (For all)

Example-13 Wife(2), Daughters(2), Father's Mother(5), Sons(3)

QUR'ANIC SHARERS:

WIFE (2) = 1250 (1/8)

True Grand Mother (5/FM) = 1667 (1/6)

RESIDUARIES (Share per head):

SONS(3) = 1771 (34/192)

DAUGHTERS(2) = 885 (17/192)

Example-15 Wife(4), True Grand Mother(15), Sons(11), Daughter(13)

QUR'ANIC SHARERS:

WIFE (4) = 1250 (1/8)

True Grand Mother (15/FM) = 1667 (1/6)

RESIDUARIES (Share per head):

SONS(11) = 405 (34/840)

DAUGHTERS(13) = 202 (17/840)

Example-16 Wife(3), True Grand Mother(4), Daughter(5)

QUR'ANIC SHARERS:

WIFE (3) = 1250 (1250) (5/40)

DAUGHTERS (5) = 7000 (6667) (28/40)

True Grand Mother (4) = 1750 (1667) (7/40)

RESIDUE (Balance) = 0 (417)

Example-17 Husband(1), Mother(1), Father(1), Daughter(1), Brother(1)

QUR'ANIC SHARERS:

HUSBAND (1) = 2308 (2500) (3/13)

DAUGHTERS (1) = 4615 (5000) (6/13)

FATHER (Father) = 1538 (1667) (2/13)

MOTHER (1) = 1538 (1667) (2/13)

BROTHER (1) = 0 (0) (0/1)

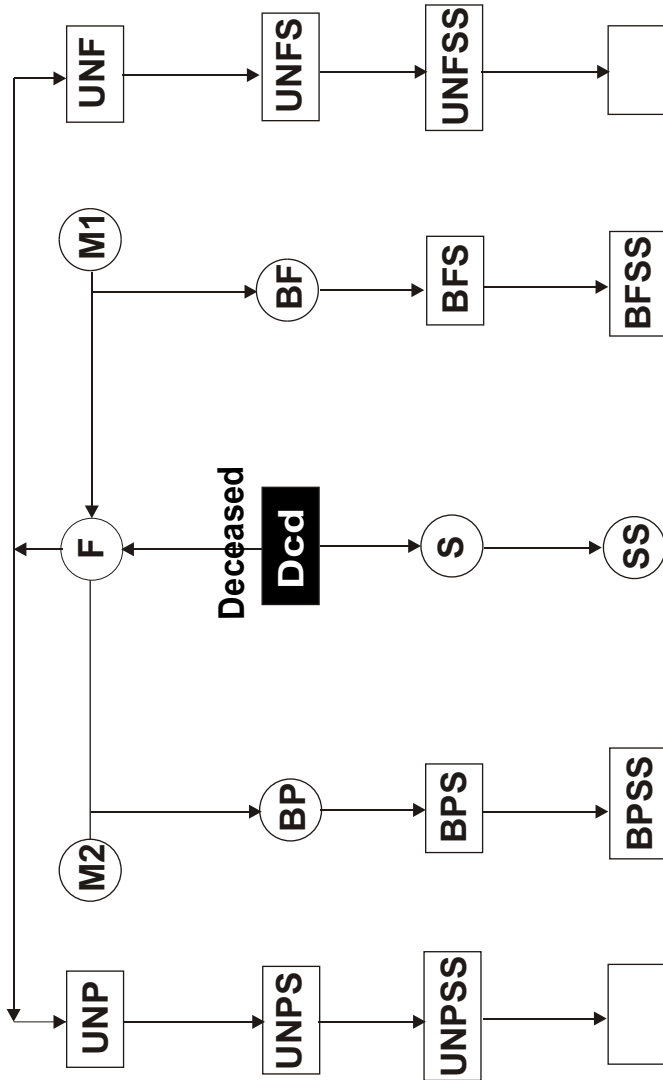
RESIDUE (Balance) = 0 (-833)

© Generated by Wirasat Software of SofexIndia on 29/06/2005 20:37:07

#### 14. SOFTWARE REGISTRATION GUIDE

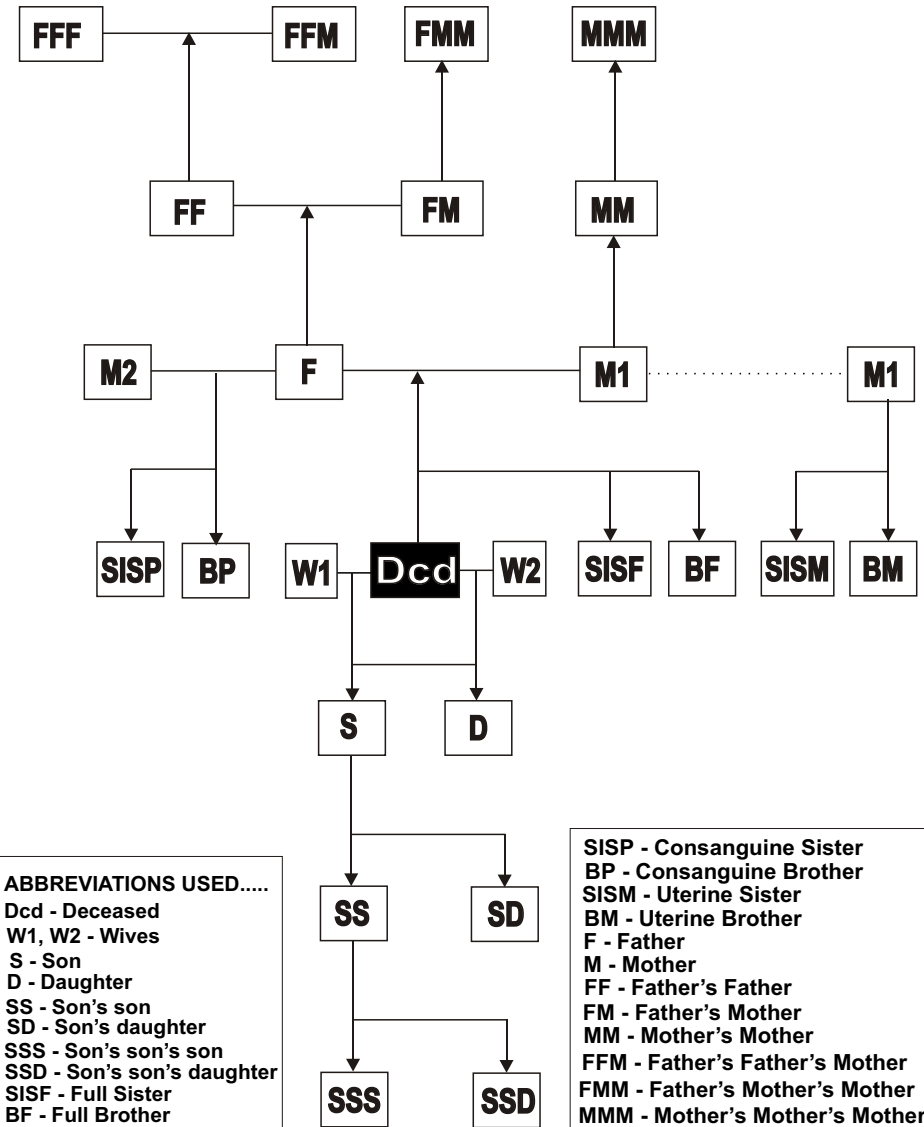
**Registration:** Open the menu item **Installation Info**, press the **Registration Codes** tab. Note down the values of **Installation ID** & **Machine Code**. Send these values to the Vendor/ Company/ Supplier who will provide you the **Registration Code** after necessary formalities.

**WE ARE RESIDUARIES ONLY(FAMILY TREE)**



- BFS - Full Brother's son
- BPS - Consanguine Brother's son
- BFSS - Full Brother's son's son
- BPSS - Cons. Brother's son's son
- F - Father
- UNP - Consanguine Uncle
- UNFS - Full Uncle's son
- UNPS - Cons. Uncle's son
- UNFSS - Full Uncle's son's son
- UNPSS - Cons. Uncle's son's son
- S - Son
- SS - Son's son
- SSS - Son's son's son
- BF - Full Brother
- BP - Consanguine Brother
- BPSS - Consanguine Brother's son's son
- BFS - Full Brother's son
- BPS - Consanguine Brother's son
- BFSS - Full Brother's son's son
- BPSS - Cons. Brother's son's son
- F - Father

**RELATIONS MADE EASY (FAMILY TREE)**



- ABBREVIATIONS USED.....
- Dcd - Deceased
  - W1, W2 - Wives
  - S - Son
  - D - Daughter
  - SS - Son's son
  - SD - Son's daughter
  - SSS - Son's son's son
  - SSD - Son's son's daughter
  - SISF - Full Sister
  - BF - Full Brother

- SISP - Consanguine Sister
- BP - Consanguine Brother
- SISM - Uterine Sister
- BM - Uterine Brother
- F - Father
- M - Mother
- FF - Father's Father
- FM - Father's Mother
- MM - Mother's Mother
- FFM - Father's Father's Mother
- FMM - Father's Mother's Mother
- MMM - Mother's Mother's Mother